



RECON

OUTFITTERS

VETERAN OWNED BUSINESS

VERTICAL FRAC TANK

DIMENSIONS 12' x 27' tall

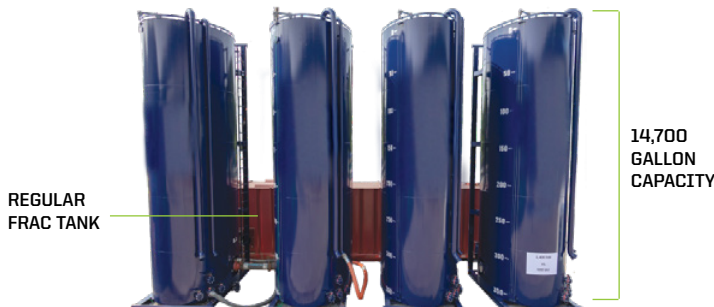


SAFE AND SECURE STORAGE OF LIQUIDS

IDEAL FOR CONSERVING SPACE ON SITE

- 14,700 gallon capacity
- Internal mixing tree
- Manifold several tanks together
- Integrated weight distribution skid
- Level gauge
- Multiple valve connections
- Internal epoxy coating
- Sloped floor for easy cleaning
- No internal rods
- All connections made from ground level/ Ladder fall protection

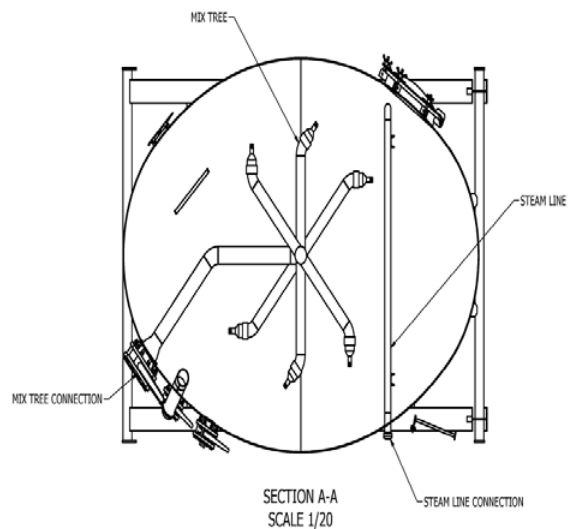
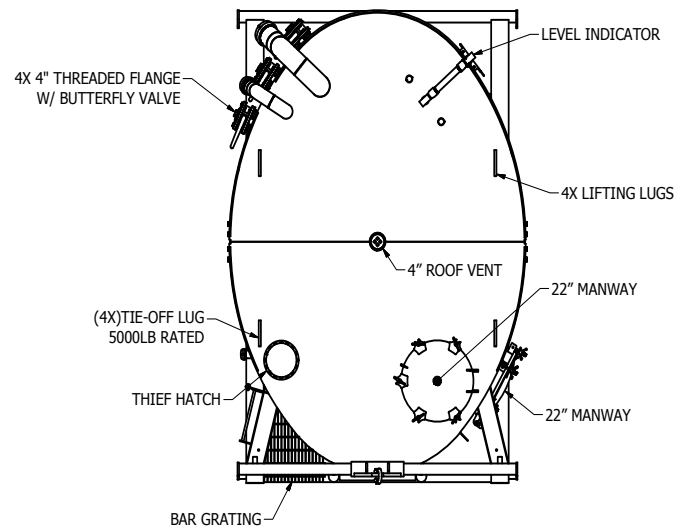
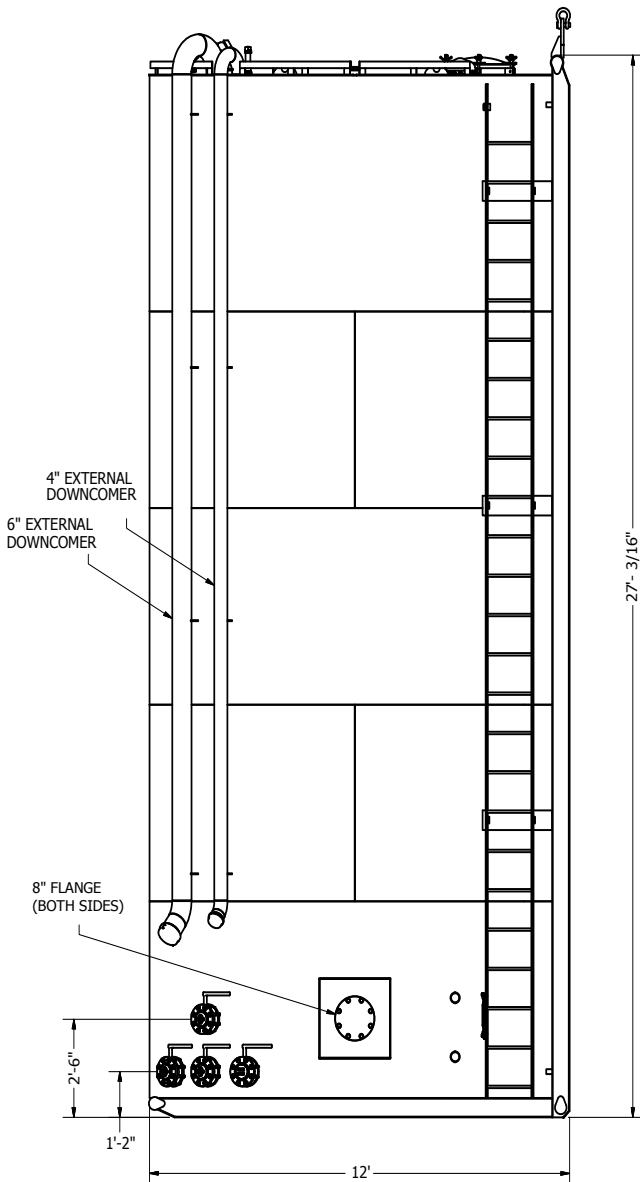
58,800 GALLONS OF STORAGE ON 20,000 GALLON FRAC TANK FOOTPRINT



RECON REMEDIATION & CONSTRUCTION OUTFITTERS, LLC

PO BOX 222 | STURBRIDGE, MA 01566 | TEL: 774-245-6623 | FAX: 508-347-3897 | RECONOUTFITTERS.COM

VERTICAL FRAC TANK



Call us at 774-245-6623 for customized solutions for various industries, such as:

- Municipal
- Construction
- Oil and Gas
- Energy
- Remediation
- Refineries and more